

Miller DuraHoist™ Vehicle Hitch Mount Sleeve

Models: DH-12 (for maximum 29-in. offset), DH-25 (for maximum 48-in. offset)

Description

Designed to install into a 2-in. receiver on an attendant vehicle to provide a portable anchor point for confined space entry/retrieval, rescue and fall arrest systems. Various sockets, extensions and accessories are available for use with the sleeve.

Materials

General Construction:	Welded Steel/Aluminum
Weld Certification:	AWS
Material (aluminum):	5052-H32, 6061-T6 Aluminum
Finish (aluminum):	Safety Yellow Powder Coat
Material (steel):	HR Steel Plate, Sch.40 Pipe
Finish (steel):	Zinc Plated
Liner Material:	PVC Pipe, ASTM-D-1785
Thrust Bearing	
Material:	High Density Polyethylene
Hardware:	Gr.5, Gr.8 - Zinc Plated
Plating Specification:	ASTM Designation B633-85, Type II, SC2

Technical

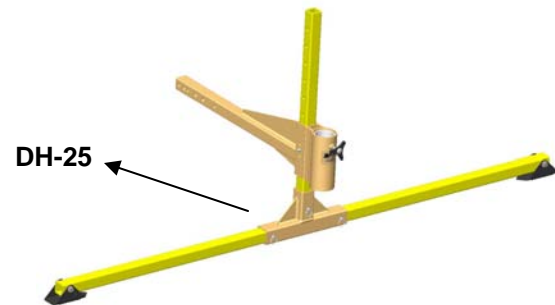
Working Load:	450 lbs (204kg) working
Design Factor:	Dependent on other system components, minimum 4:1 Design Factor
Proof Load:	90,000 in-lbs (10,200 N.m)

Weights

DH-12:	58 lbs (26.3kg)
DH-25:	72 lbs (32.7kg)

Application Restrictions

1. This device is intended for use with equipment and accessories manufactured and/or approved by Miller. Accessories are subject to various application restrictions as outlined in the application accessory specifications sheets.
2. Anchoring to an attendant vehicle may not be permitted within certain jurisdictions. Ensure that the use of this equipment does not violate any regulations within your area.



DH-25



DH-22/33

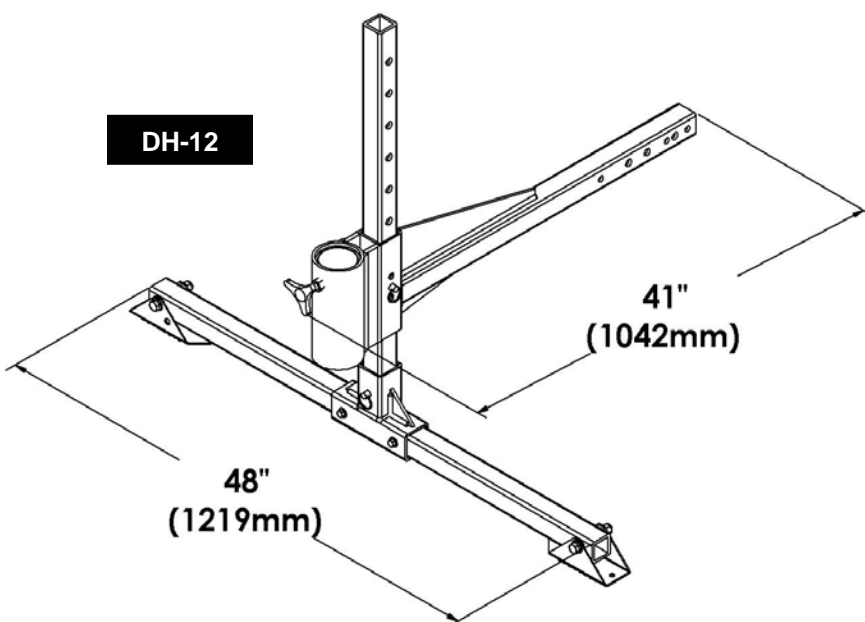
DH-12

Vehicle Hitch Mount (DH-12) shown with Two-Piece Adjustable Upper Mast (DH-21, 12-in. - 29-in. offset) and Lower Mast Extension (DH-22/33)

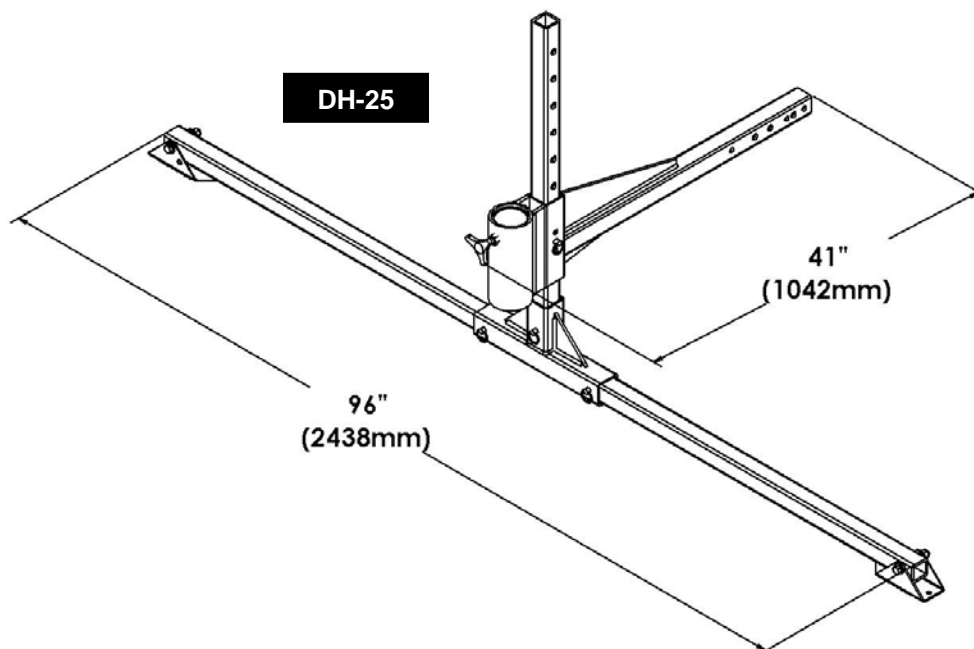
3. The Vehicle Hitch Mount Sleeve (DH-12) is to be used with a 29-in. (737mm) *maximum* offset mast (One-Piece Adjustable Mast, DH-3 or Two-Piece Adjustable Upper Mast, DH-21).
4. The Vehicle Hitch Mount Sleeve (DH-25) is to be used with a 48-in. (1219mm) *maximum* offset mast (One-Piece Adjustable Mast, DH-3; Two-Piece Adjustable Upper Mast options, DH-21/DH-23).
5. Hitch Mount Sleeve Extensions are available to position the sleeve further away from the attendant vehicle. Only one (1) extension at a time is to be used. Multiple hitch mount extensions are not to be used.
6. Each installation must be approved to local standards by a qualified engineer.

Miller DuraHoist™ Vehicle Hitch Mount Sleeve

Models: DH-12 (for maximum 29-in. offset), DH-25 (for maximum 48-in. offset)



DH-12

41"
(1042mm)48"
(1219mm)

DH-25

41"
(1042mm)96"
(2438mm)

MILLER[®]
by SPERIAN

Toll Free 800-873-5242 • Phone 814.432.2118 • Fax 814.437.2973 • www.millerfallprotection.com

⚠ WARNING! THIS DOCUMENT PROVIDES AN OVERVIEW OF FALL PROTECTION PRODUCTS AVAILABLE FROM SPERIAN FALL PROTECTION AND CARE HAS BEEN TAKEN TO ASSURE THE ACCURACY OF THE DATA. IT DOES NOT PROVIDE IMPORTANT PRODUCT WARNINGS AND INSTRUCTIONS. SPERIAN FALL PROTECTION RECOMMENDS ALL USERS OF FALL PROTECTION EQUIPMENT UNDERGO THOROUGH TRAINING, AND THAT ALL WARNINGS AND INSTRUCTIONS PROVIDED WITH THE PRODUCTS BE THOROUGHLY READ AND UNDERSTOOD PRIOR TO EACH USE. FAILURE TO READ AND FOLLOW ALL PRODUCT WARNINGS AND INSTRUCTIONS COULD RESULT IN SERIOUS INJURY OR DEATH.