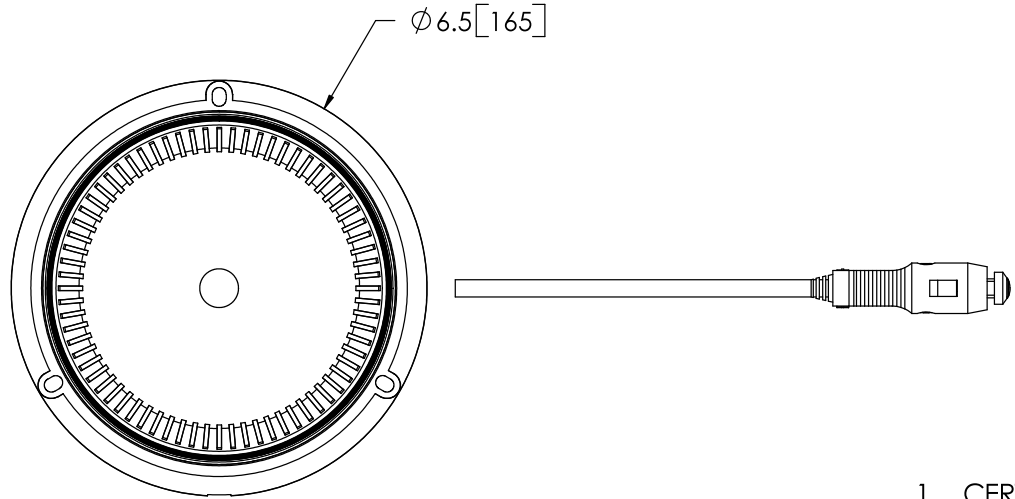


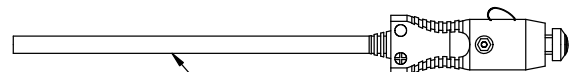
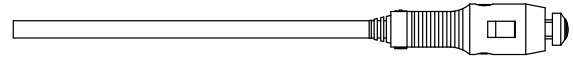
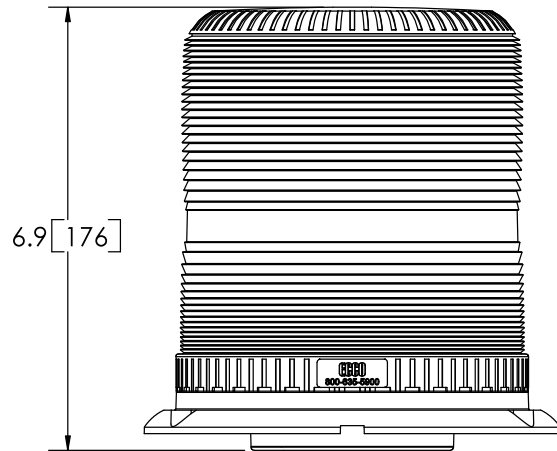
8 7 6 5 4 3 2 1

REVISION HISTORY		
REV.	DESCRIPTION	DATE
A	INITIAL RELEASE PER P3# 98003	1999-04-30
B	ADDED CERTIFICATIONS PER CR# 1111	2003-07-01



SPECIFICATIONS

- CERTIFICATIONS: **CE**; SAEJ1318 (May 98), CLASS 2 FOR AMBER, BLUE, CLEAR, AND RED COLORS
- FLASH MODE: DUAL: 75 TO 85 FLASHES PER MINUTE
- VOLTAGE (NOMINAL): 12 – 48 VDC
- VOLTAGE (EXTREME): 9.0 – 55.0 VDC
- CURRENT (NOMINAL): 1.5 A
- POWER (NOMINAL): 21 W
- TEMPERATURE RANGE: -22°F (- 30°C) TO 122°F (50°C)
- CONNECTION: 16 AWG CABLE W/LIGHTER CONNECTOR
- MOUNTING: MAGNET MOUNT
- BASE MATERIAL: POLYCARBONATE
- LENS MATERIAL: POLYCARBONATE
- PRODUCT WEIGHT: 2.1 LBS [954 grams]



16 AWG CABLE
 LENGTH: 180 [4572] ± 1 [26]
 CONNECTOR: LIGHTER ADAPTER

NOTES
 1. DIMENSIONS IN INCHES [MILLIMETERS]

APPROVALS		DATE
DRAWN BY	RAM	
CHECKED		
ELEC. ENG.		
MECH. ENG.		
TEST ENG.		
SALES		

ECCO Electronic Controls Co.
 An Employee Owned Company
 800-635-5900 P.O.BOX 7246,BOISE,ID 83707

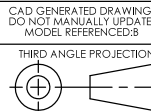
STROBE, 12-48VDC, 7JLS, DF, MAG MOUNT

Project: 98003 Date Created: 1999-04-30

SIZE	DWG. NO.	REV.
A	6570X-MG	B

SCALE 1:3 PREPARED PER ASME 14.100M-1998 / ASME Y14.1-1995 SHEET 1 OF 1

NON DISCLOSURE AGREEMENT
 THIS DRAWING AND THE DESIGN IT DISCLOSES ARE THE PRIVATE PROPERTY OF ECCO AND IS ISSUED IN CONFIDENCE FOR ENGINEERING INFORMATION ONLY. THE DRAWING AND / OR DESIGN MAY NOT BE USED, COPIED, REPRODUCED, OR OTHERWISE DISCLOSED IN PART OR AS A WHOLE TO OUTSIDERS OR USED FOR ANY OTHER PURPOSE WITHOUT THE PRIOR WRITTEN CONSENT OF ECCO. THE DRAWING IS SUBJECT TO RECALL AT ANY TIME. YOUR POSSESSION OF THIS DOCUMENT CONSTITUTES ACCEPTANCE OF THESE TERMS. © 2003 ECCO



8 7 6 5 4 3 2 1